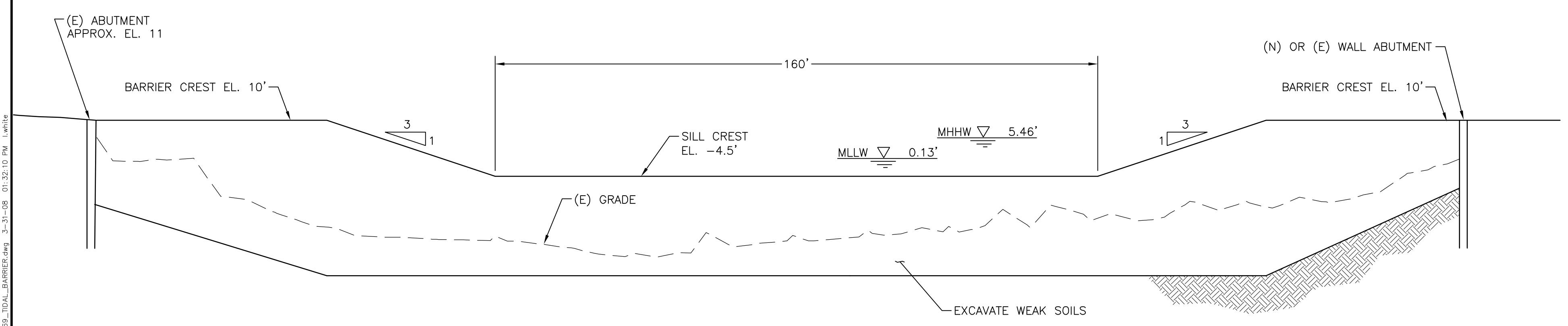
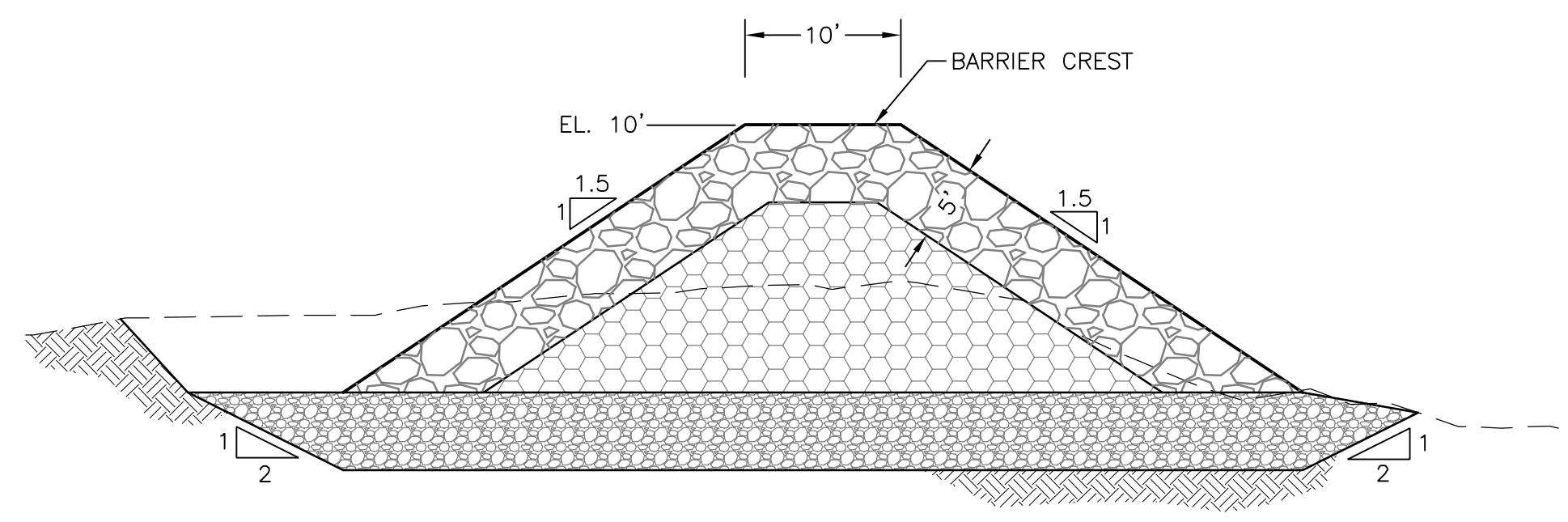


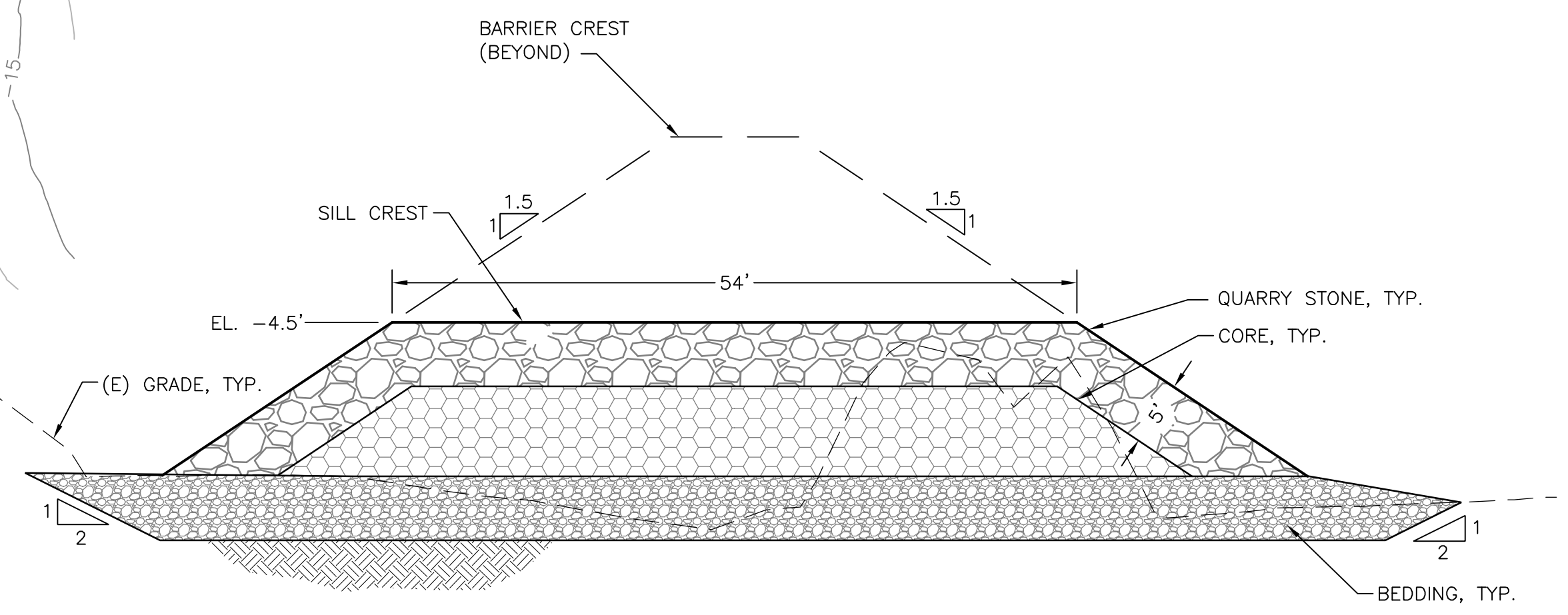
LOW SILL AT HWY-1 BRIDGE
DETAIL PLAN SCALE: 1" = 20'



LOW SILL AT HWY-1 BRIDGE
ELEVATION SCALE: 1" = 20'



B BARRIER AT HWY-1 BRIDGE
SECTION SCALE: 1" = 10'



A LOW SILL AT HWY-1 BRIDGE
SECTION SCALE: 1" = 10'

- NOTES:**
1. DEBRIS FROM OLD BRIDGE SHALL BE REMOVED BY CONTRACTOR PRIOR TO ROCK PLACEMENT.
 2. HYDRAULIC BYPASS FACILITIES NOT SHOWN.

VERIFY SCALE
 THIS BAR IS ONE INCH ON ORIGINAL DRAWING
 0" — 1"
 ADJUST SCALE ACCORDINGLY IF NOT ONE INCH ON THIS SHEET

PRELIMINARY
NOT FOR CONSTRUCTION

PREPARED BY: PWA PHILIP WILLIAMS & ASSOCIATES, LTD. ENVIRONMENTAL TECHNOLOGY 500 NEARBY STREET, SUITE 600 PHOENIX, AZ 85026 FAX (415) 265-2320	SHEET TITLE ALT 3A LOW SILL - PLAN AND SECTIONS
	PROJECT TITLE ELKHORN SLOUGH CONCEPTUAL DESIGN ELKHORN SLOUGH TIDAL WETLAND PROJECT BUILDING OR PROJECT
PREPARED FOR: ELKHORN SLOUGH FOUNDATION	APPROVED DESIGNED L. WHITE DRAWN L. WHITE INCHARGE B. BATTALIO C41765
LOCATION SCALE AS SHOWN FILE NO. 1869.00 DATE MAR 26, 2008 SHEET	3

C:\Projects\1869 - Elkhorn Slough\Drawings\3-31-08 01:32:10 PM Lwhite